

# Euroview Vinyl Tilt/Turn, Hopper & Picture Windows



## Unit Features

### Frame:

Frame Thickness: 70mm (2 3/4")

Frame Width: 67mm (2 5/8") or 80mm (3 5/32") Steel Reinforced

### Sash:

Sash Thickness: 70mm (2 3/4")

Sash Width: 80mm (3 5/32") Steel Reinforced

### Shape Options:

Fixed and Operable

### Hardware:

Tilt Turn:

Rotomulti-point locking hardware with white handle and hinge covers

Keyed Custodial Handle Available

Optional Keyed or Non Keyed Handle/Hinge Colors:

Silver, brass, bronze, brown, titanium, champagne

Upgraded Non Keyed Handle Colors:

Chrome, Brushed Chrome, Satin Nickel, Antique Brass, Oil Rubbed Bronze, Matte Black

Optional Features:

Concealed Hinge Hardware, Custodial Locking Tilt First, Turn Limiters

Hopper:

Rotomulti-point locking hardware w/ Stainless Friction Hinges

Handle/Hinge Colors: Same as Tilt Turn

Optional Features: Concealed Hinge Hardware

### Weather Strip:

Weather Stripping: Frame, Sash & Bead

Color: Black or Grey

### Screening:

Fixed Screen:

3/8"x3/4" Roll-formed metal screen bar(white) with fiberglass mesh charcoal grey screen cloth.

Spring loaded installation

Optional Screening:

Genius® retractable screening solutions

# Euroview Vinyl Tilt/Turn, Hopper & Picture Windows



## ***Unit Features (continued)***

### **Glass & Glazing:**

#### Standard:

1-inch 270 Low-E/Argon Annealed

#### Available IG Sizes:

1/4", 3/4", 7/8", 1", 1 1/4", 1 1/2"

#### Optional Glazing Available:

Tempered, Laminated, Single & Tri-pane, Obscure, Tints, & Krypton (Thermal Simulations available)

Insulating glass will be altitude adjusted with capillary tubes for higher elevations when requested

#### Grid Options:

Grids between Glass (GBG), Simulated Divided Lite (SDL) with and without spacer, True Divided Lite (85mm 3 11/32" T Mull)

#### Upgraded Grid Option:

Decralite SDLs, Two-Tone Grid Color, Painted per customer color request

### **Color/Finish Options:**

#### Standard:

White Interior/White Exterior, Beige and Clay

#### Laminate Options:\*

##### Interior Only

Natural Oak, Hillside Oak, Colonial Cherry, Yellow Pine, Cavalier Oak, American Maple, American Cherry

##### Interior/Exterior Woodgrains:

Rojo Oak, Golden Oak, Walnut, Mahogany, Chestnut

##### Interior/Exterior Colors:

Bone, Clay, Brown, Cocoa, Brushed Silver, Hunter Green, Garnet, Bronze, Sand, Dark Sapphire

#### Paint Options

PPG Delfleet® Essential with 4,000+ color options

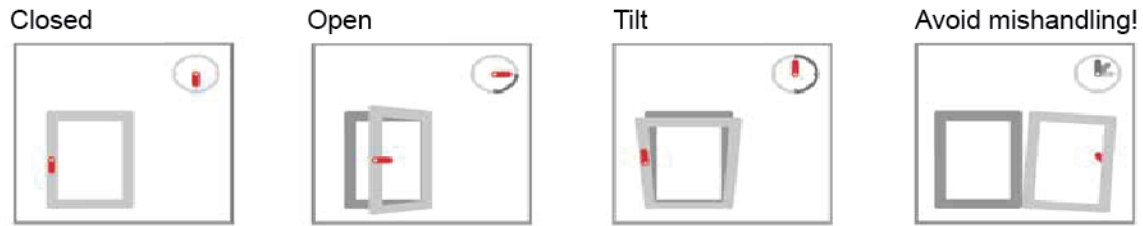
*Product comes with 10-Year Manufacturer's Warranty*

*\*Sample booklet available upon request*

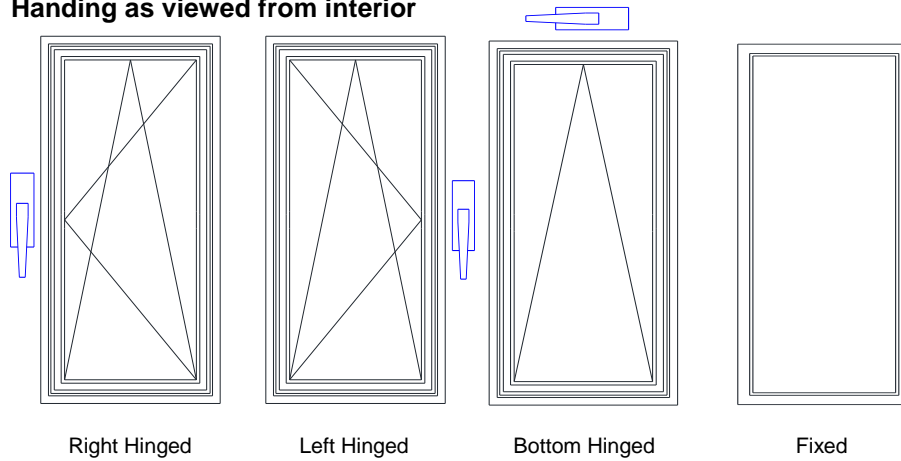
# Euroview Vinyl Tilt/Turn, Hopper & Picture Windows



## Unit Operation / Certified Testing Info / Thermal Tests



### Handling as viewed from interior



### Commercial Ratings:

Unit Type	Certified Size	Tested to
Tilt Turn	48"x72"	CW-PG85-DAW
Hopper	60"x36"	CW-PG90-AP
Picture Window	99"x63"	CW-PG65-FW

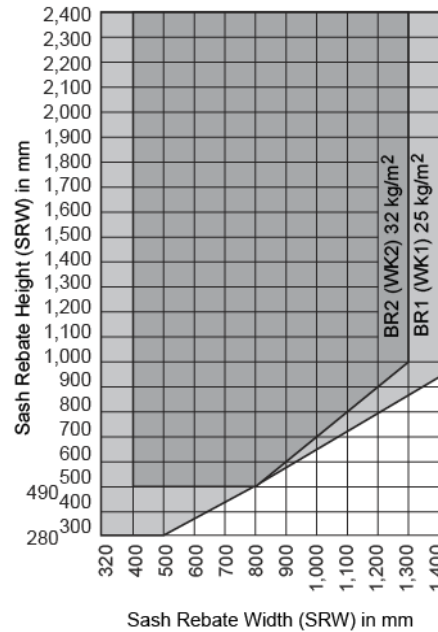
### Standard Glass Thermal Values:

Unit Type	Make Size	U Value	SHGC
Tilt Turn & Hopper	48"x59"	0.27	0.18
Picture Window	48"x59"	0.26	0.29

## Minimum & Maximum Guidelines

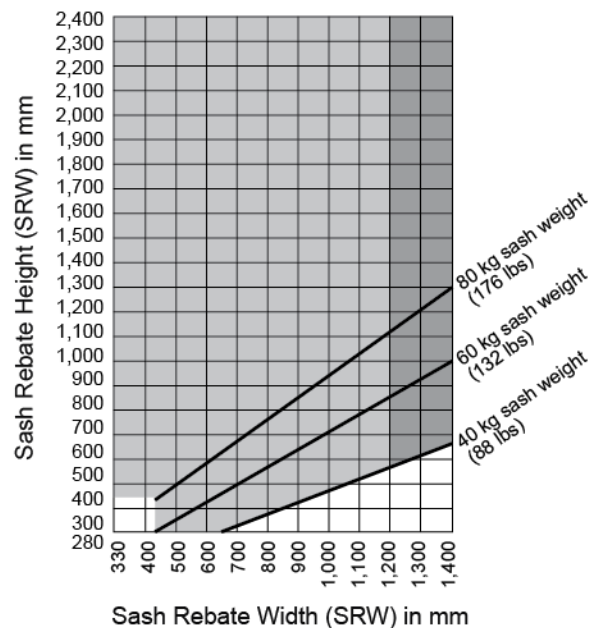
Min Max Guidelines for Tilt Turn External Hinge System	
Frame Make Size	
Min Size	Max Square Ft
20"x20"	39.5sq ft
Max Width/Height	
60"	95"
Max Sash Weight	
286lbs	

Limitation of the sash formats WK1/WK2 security  
In this range  
permissible max sash weight = 130 kg (286 lbs)





Min Max Guidelines for Tilt Turn Concealed Hinge System	
Frame Make Size	
Min Size	Max Square Ft
20.5"x20"	32sq ft
Max Width/Height	
50"	95"
Max Sash Weight	
176lbs	

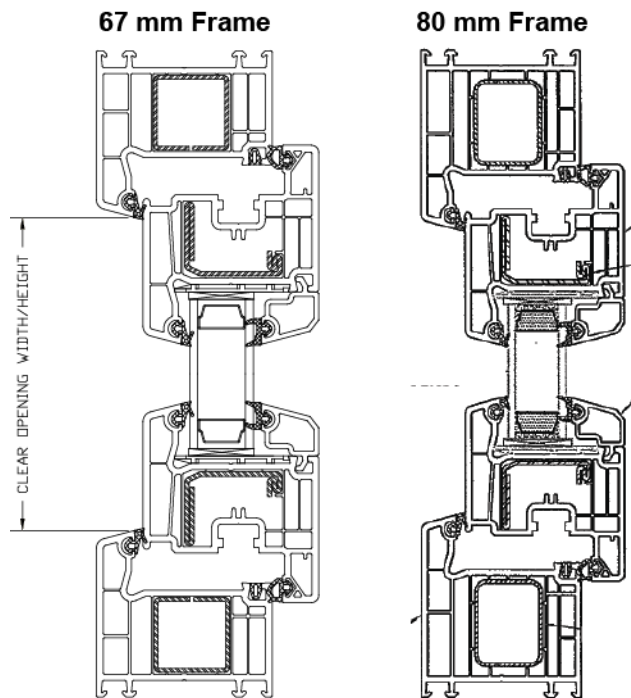
Limitation of the sash formats WK1/WK2 security  
In this range  
permissible max sash weight = 80 kg (176 lbs)



Conversion: 1 inch = 25.4 mm

-  = Additional scissor stay required
-  = Impermissible application range

**Unit Measurement Details**



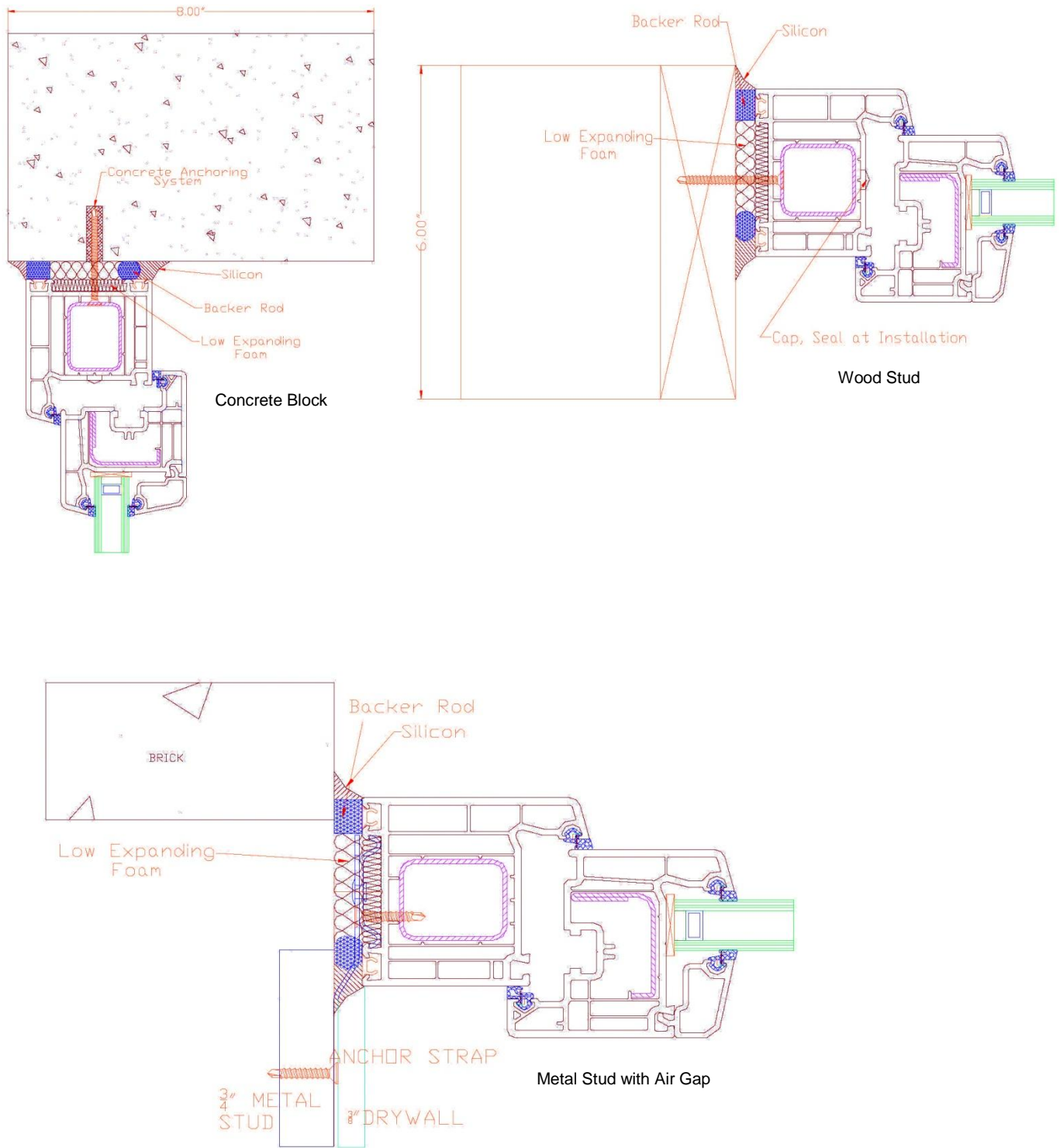
**Unit Measurements 67mm Frame:**

Measurement Type	Width	Height
Make Size	Rough Open - .5"	Rough Open - .5"
Egress Opening	Make Size - 5.25"	Make Size - 5.25"
Glass Size	Make Size - 8"	Make Size - 8"

**Unit Measurements 80mm Frame:**

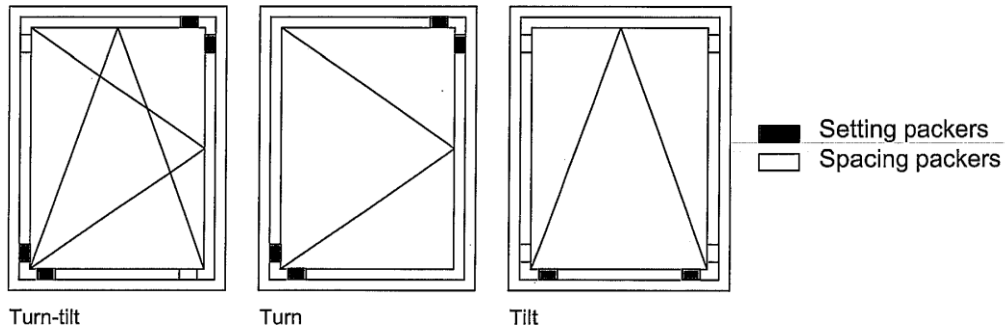
Measurement Type	Width	Height
Make Size	Rough Open - .5"	Rough Open - .5"
Egress Opening	Make Size - 6.25"	Make Size - 6.25"
Glass Size	Make Size - 9"	Make Size - 9"

## Installation Methods

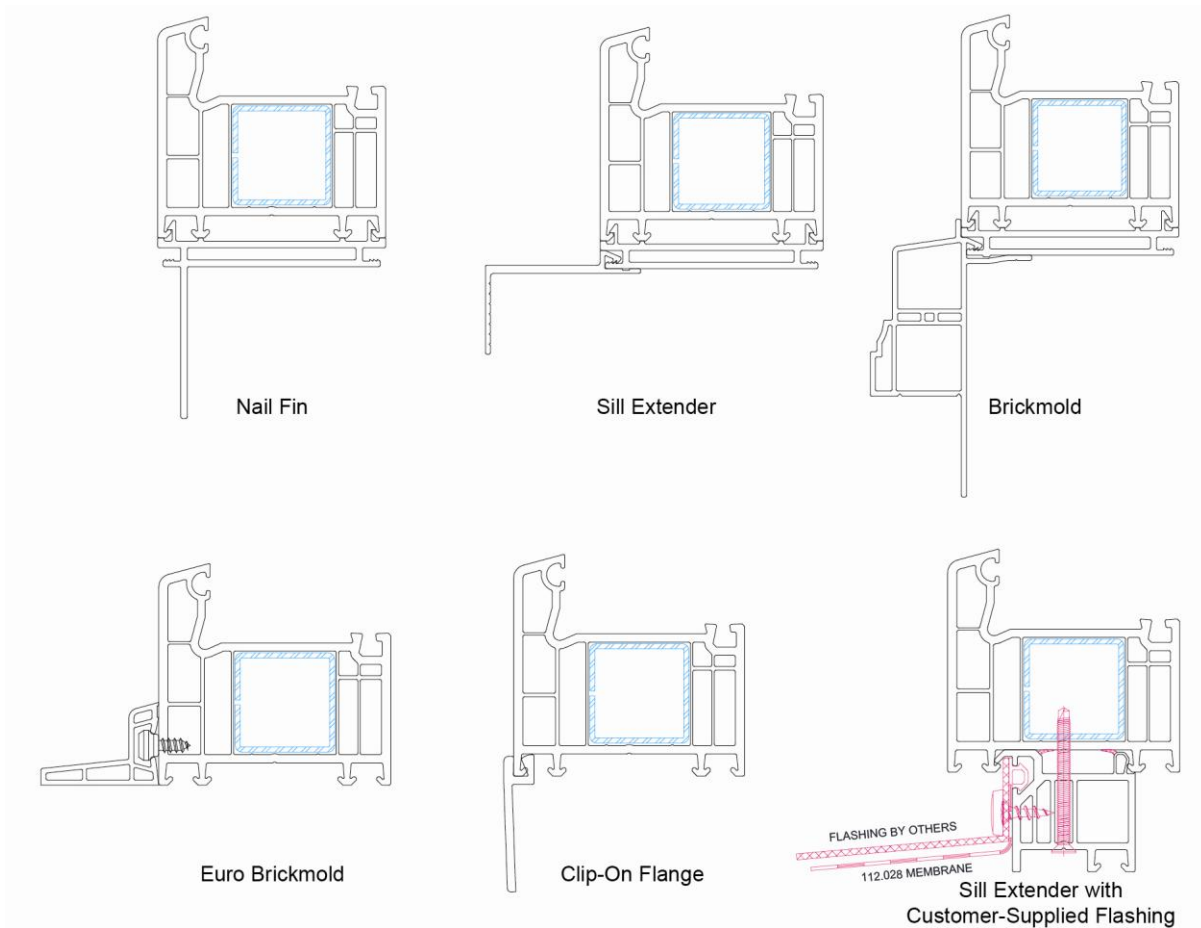


## Glazing Diagram / Optional Accessories

### Glazing:

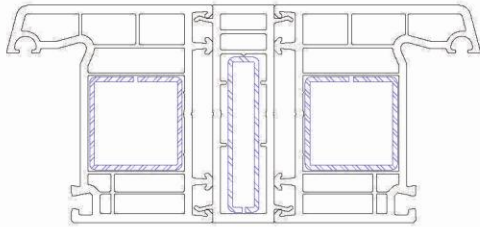


### Accessories:

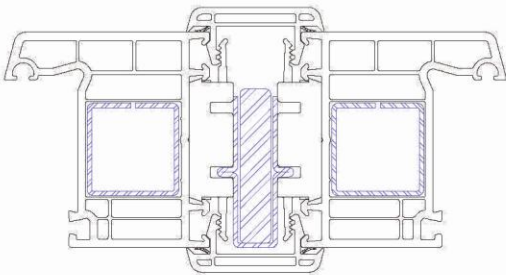


## Standard Field Mull Coupling Systems\*

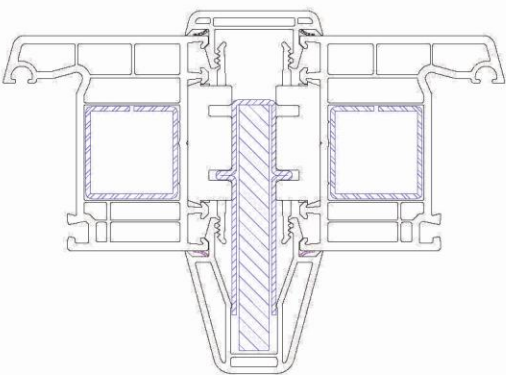
### Vertical Systems



C1

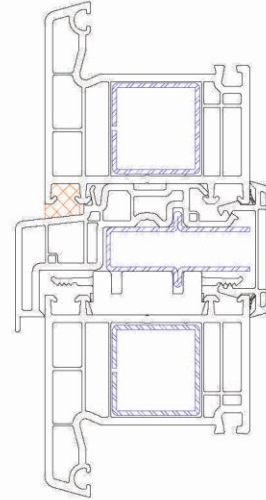


A1.2

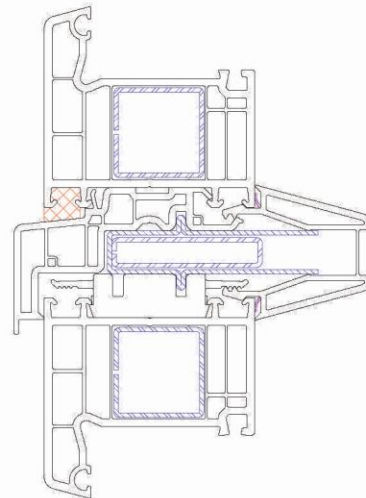


B1.4

### Horizontal Systems



D1



D2.1

\* Additional field mull systems available.  
Call for additional technical specifications.